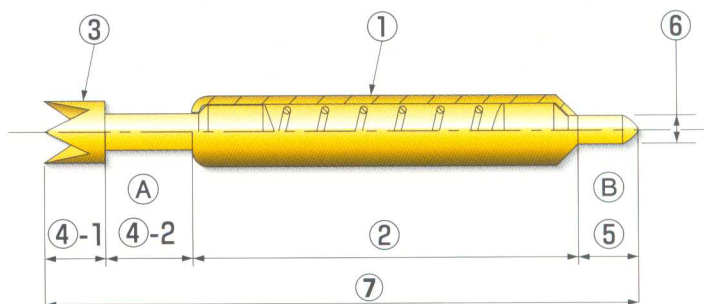
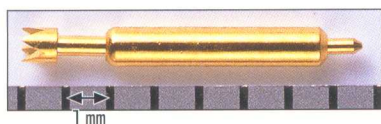


1.27mm Pitch Series



MINI Contact Probe Physical Dimensions KW1-090

Part Number	KW1-090 H/H-02		KW1-090 I/A-01		KW1-090 I/AR-02	
Size	①	$\phi 0.90$ mm	①	$\phi 0.90$ mm	①	$\phi 0.90$ mm
	②	4.00 mm	②	7.20 mm	②	5.00 mm
	③	$\phi 0.50$ mm	③	$\phi 0.80$ mm	③	$\phi 0.80$ mm
	④	0.76 mm	④	0.80 mm, 1.10 mm	④	0.80 mm, 1.10 mm
	⑤	0.76 mm	⑤	0.80 mm	⑤	0.80 mm
	⑥	$\phi 0.50$ mm	⑥	$\phi 0.36$ mm	⑥	$\phi 0.36$ mm
	⑦	5.52 mm	⑦	9.90 mm	⑦	7.70 mm
Spring Force	30 g at 0.50 mm Stroke		40 g at 1.18 mm Stroke		35 g at 1.18 mm Stroke	
Tip Style						
Plunger A	BeCu		Plating	Au or Au(Co 0.6%)		
Plunger B	BeCu		Plating	Au or Au(Co 0.6%)		
Barrel	Bs		Plating	Au		
Spring	SWP		Plating	Au		

KW1-090 I/AR-02

Mechanical performance					
Applicable pitch	1.27mm				
Contact pin actuations	300K				
Full Stroke	1.7mm				
Contact stroke	1.18mm				
Contact force	35 gf/pin				
Operating tempertue	-40 to 100 deg C				
Material & Surface					
Top Plunger	Becu , Ni , Au				
Bottom Plunger	Becu , Ni , Au				
Barrel	BS , Ni , Au				
Spring	SWP , Au				
Electrical performance					
Self inductance	2.9nH				
Insertion loss	< - 1 dB to 7.7GHz				
Contact resistance	50 m Ω AVERAGE				
Current rating	1.5A				
Element values for KW1-090 I/AR-02 (1.27mm pitch)					
Pins	L1 & L2 (nH)	M21 (nH)	Ra & R2 (Ω)	C21a (pF)	C21b (pF)
Field adjacent	1.6	0.20	700	0.08	0.13
Field diagonal	1.6	0.03	700	0.02	0.02
Edge adjacent	1.8	0.30	700	0.09	0.13
Corner adjacent	2.0	0.35	700	0.10	0.14