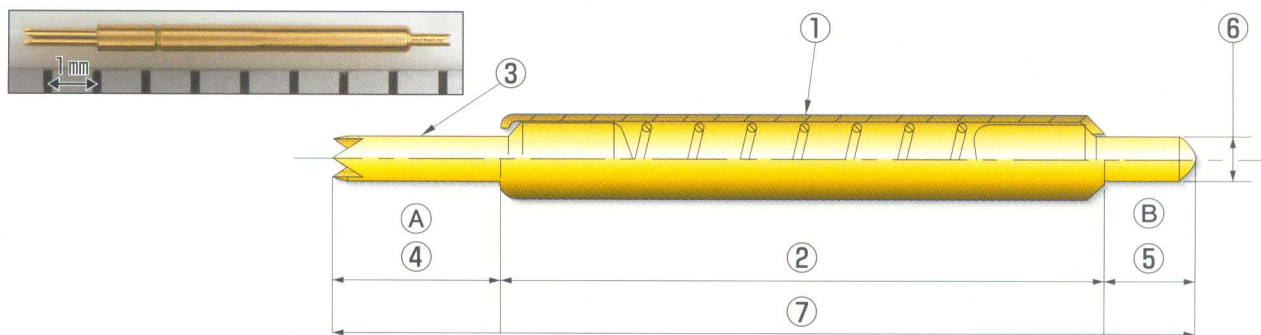


# 0.8mm Pitch Series



## MINI Contact Probe Physical Dimensions KW1-057 & KW1-064

Part Number	KW1-057 AH/AR-06		KW1-057 H/H-03		KW1-064 H/H-01	
Size	①	$\phi 0.57$ mm	①	$\phi 0.57$ mm	①	$\phi 0.64$ mm
	②	3.20 mm	②	6.35 mm	②	4.06 mm
	③	$\phi 0.30$ mm	③	$\phi 0.38$ mm	③	$\phi 0.30$ mm
	④	1.05 mm	④	1.50 mm	④	0.76 mm
	⑤	0.60 mm	⑤	0.80 mm	⑤	0.76 mm
	⑥	$\phi 0.30$ mm	⑥	$\phi 0.30$ mm	⑥	$\phi 0.30$ mm
	⑦	4.85 mm	⑦	8.65 mm	⑦	5.58 mm
Spring Force	18 g at 1.10 mm Stroke		30 g at 0.80 mm Stroke		18 g at 0.51 mm Stroke	
Tip Style						
Plunger (A)	BeCu or Steel Carbon		Plating		Au	
Plunger (B)	BeCu or Steel Carbon		Plating		Au	
Barrel	Bs or Pb		Plating		Au	
Spring	SWP		Plating		Au	

### KW1-057 H/H-03

Mechanical performance						
Applicable pitch	0.65mm					
Contact pin actuations	300K					
Full Stroke	1.23mm					
Contact stroke	0.8mm					
Contact force	30 gf/pin					
Operating tempertue	-40 to 100 deg C					
Material & Surface						
Top Plunger	SK , Ni , Au					
Bottom Plunger	SK , Ni , Au					
Barrel	Pb , Au clad					
Spring	SWP , Au					
Electrical performance						
Self inductance	4.32nH					
Insertion loss	< - 1 dB to 11 GHz					
Contact resistance (Life test)	50 m $\Omega$ AVERAGE					
Current rating	1.0A					
Element values for KW1-057 H/H-03 (0.8mm pitch)						
Pins	L1 & L2 (nH)	M21 (nH)	Ra & R2 ( $\Omega$ )	C21a (pF)	C21b (pF)	
Field adjacent	1.6	0.22	700	0.09	0.13	
Field diagonal	1.6	0.01	700	0.02	0.03	
Edge adjacent	1.9	0.33	700	0.12	0.15	
Corner adjacent	2.1	0.41	700	0.12	0.17	