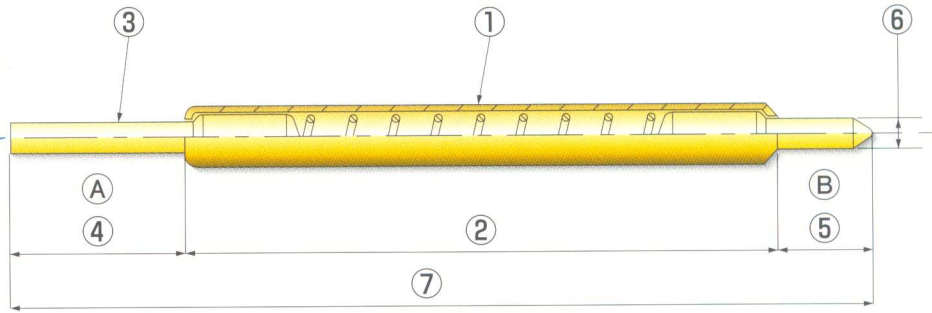
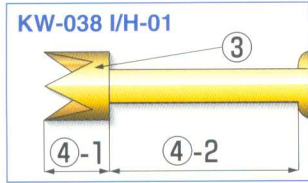
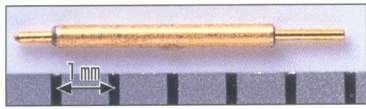


0.5mm Pitch Series



MINI Contact Probe Physical Dimensions KW1-038

Part Number	KW1-038 F/AR-01		KW1-038 H/H-01		KW1-038 I/H-01	
Size	①	$\phi 0.38$ mm	①	$\phi 0.38$ mm	①	$\phi 0.38$ mm
	②	3.90 mm	②	3.90 mm	②	3.90 mm
	③	$\phi 0.20$ mm	③	$\phi 0.20$ mm	③	$\phi 0.36$ mm
	④	1.14 mm	④	1.14 mm	④	0.51mm-0.76mm
	⑤	0.63 mm	⑤	0.63 mm	⑤	0.63 mm
	⑥	$\phi 0.20$ mm	⑥	$\phi 0.20$ mm	⑥	$\phi 0.20$ mm
	⑦	5.67 mm	⑦	5.67 mm	⑦	5.80 mm
Spring Force	18 g at 0.80 mm Stroke		18 g at 0.80 mm Stroke		18 g at 0.80 mm Stroke	
Tip Style						
Plunger (A)	BeCu or Steel Carbon		Plating	Au		
Plunger (B)	BeCu		Plating	Au		
Barrel	Gold clad or Pb		Plating	Au		
Spring	SWP		Plating	Au		

KW1-038 I/H-01

Mechanical performance					
Applicable pitch	0.5mm				
Contact pin actuations	300K				
Full Stroke	1.1mm				
Contact stroke	0.8mm				
Contact force	18 gf/pin				
Operating tempertue	-40 to 100 deg C				
Material & Surface					
Top Plunger	Besu , Ni , Au				
Bottom Plunger	Becu , Ni , Au				
Barrel	Pb , Au clad				
Spring	SWP , Au				
Electrical performance					
Self inductance	2.9nH				
Insertion loss	< - 1 dB to 16 GHz				
Contact resistance (Life test)	50 m Ω AVERAGE				
Current rating	0.5A				
Element values for KW1-038 I/H-01 (0.5mm pitch)					
Pins	L1 & L2 (nH)	M21 (nH)	Ra & R2 (Ω)	C21a (pF)	C21b (pF)
Field adjacent	1.0	0.14	300	0.08	0.10
Field diagonal	1.0	0.01	300	0.01	0.01
Edge adjacent	1.3	0.20	300	0.07	0.10
Corner adjacent	1.4	0.26	300	0.09	0.12