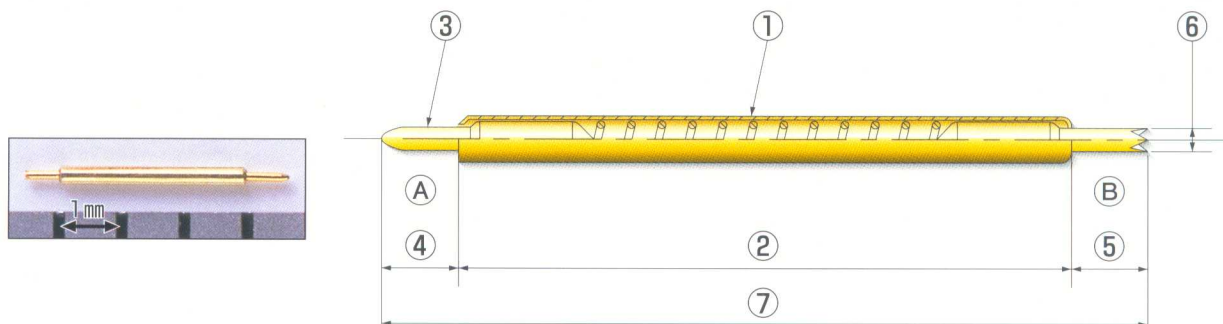


0.4mm Pitch Series



MINI Contact Probe Physical Dimensions KB1-026 & KW1-026 & KW1-030

Part Number	KB1-026 AR/AR-01	KW1-026 AR/AR-09	KW1-030 AR/H-01	KW1-030 AR/H-23
Size	① $\phi 0.26$ mm ② 3.90 mm ③ $\phi 0.11$ mm ④ 0.64 mm ⑤ 0.64 mm ⑥ $\phi 0.13$ mm ⑦ 5.18 mm	① $\phi 0.26$ mm ② 2.35 mm ③ $\phi 0.10$ mm ④ 0.60 mm ⑤ 0.35 mm ⑥ $\phi 0.10$ mm ⑦ 3.30 mm	① $\phi 0.30$ mm ② 4.00 mm ③ $\phi 0.15$ mm ④ 0.50 mm ⑤ 0.50 mm ⑥ $\phi 0.15$ mm ⑦ 5.00 mm	① $\phi 0.30$ mm ② 2.10 mm ③ $\phi 0.15$ mm ④ 0.70 mm ⑤ 0.50 mm ⑥ $\phi 0.15$ mm ⑦ 3.30 mm
Spring Force	18g at 0.38 mm Stroke	13g at 0.45 mm Stroke	16 g at 0.70 mm Stroke	10 g at 0.35 mm Stroke
Tip Style				
Plunger (A)	BeCu or Steel Carbon		Plating	Au or Au(Co 0.6%)
Plunger (B)	BeCu or Steel Carbon		Plating	Au or Au(Co 0.6%)
Barrel	Gold Clad		Plating	Au
Spring	SWP		Plating	Au

KW1-026 AR/AR-09

Mechanical performance					
Applicable pitch	0.4mm				
Contact pin actuations	10K				
Full Stroke	0.6mm				
Contact stroke	0.45mm				
Contact force	13 gf/pin				
Operating tempertue	-40 to 100 deg C				
Material & Surface					
Top Plunger	SK , Ni , Au				
Bottom Plunger	SK , Ni , Au				
Barrel	Gold clad				
Spring	SWP , Au				
Electrical performance					
Self inductance	2.5nH				
Insertion loss	< - 1 dB to 10 GHz				
Contact resistance (Life test)	80 m Ω AVERAGE				
Current rating	0.3A				
Element values for KW1-030 AR/H-01 (0.4mm pitch)					
Pins	L1 & L2 (nH)	M21 (nH)	Ra & R2 (Ω)	C21a (pF)	C21b (pF)
Field adjacent	1.2	0.15	400	0.04	0.08
Field diagonal	1.2	0.03	400	0.01	0.01
Edge adjacent	1.4	0.23	400	0.06	0.08
Corner adjacent	1.6	0.28	400	0.07	0.08