

Pitch

0.50mm

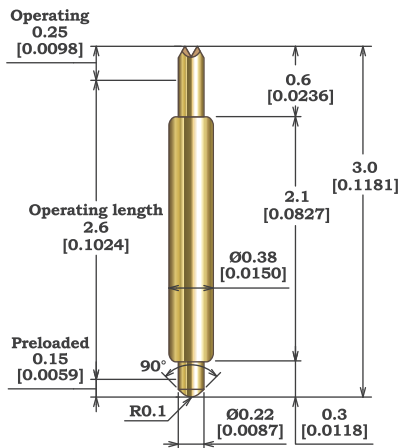
Length

3.0mm

Standard Pitch

**Probe Outline**

Unit: mm [inch]



**Specifications**

(Approximate Average Values)

**Mechanical Specifications**

Spring Force at Operating Travel	25gf (0.88oz.)
Operating Travel	0.4mm (0.0157inch)
Operating Temperature	-45 to 125°C
Life Span at Operating Travel	1000K Cycles

**Electrical Specifications**

Current Rating (Continuous)	1.1A
Self Inductance	0.52AnH
Bandwidth @ -1dB	32.6GHz
DC Resistance	≤0.05Ω

**Material and Finishes**

Bottom Plunger	BeCu / Au Plated
Barrel	Alloy / Au Plated
Spring	Music Wire / Au Plated

\*Top Plunger : Please refer to the table on the right.

**Top Plunger**

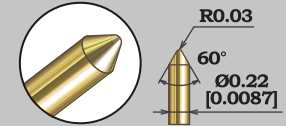
**& Item Number**

**KHW050-001C2**



Material : BeCu  
Plating : Au Alloy

**KHW050-002R2**

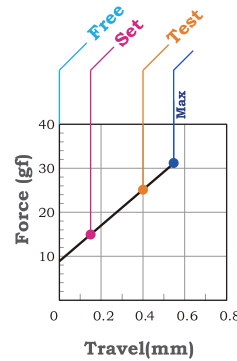
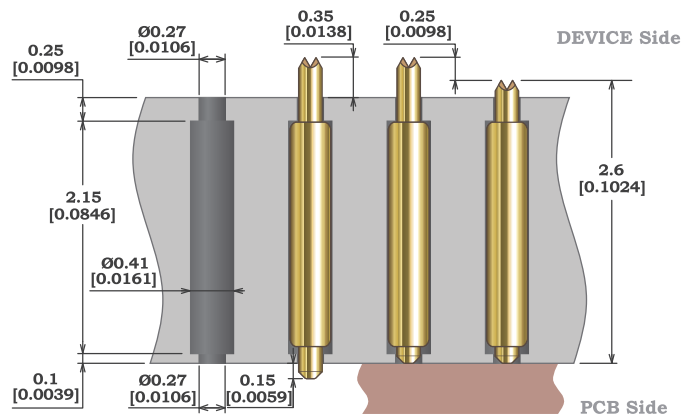


Material : BeCu  
Plating : Au Alloy

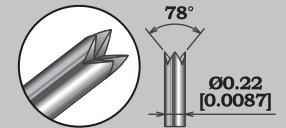
**Socket Outline**

Unit: mm [inch]

**Force Chart**

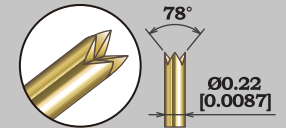


**KHW050-003CP**



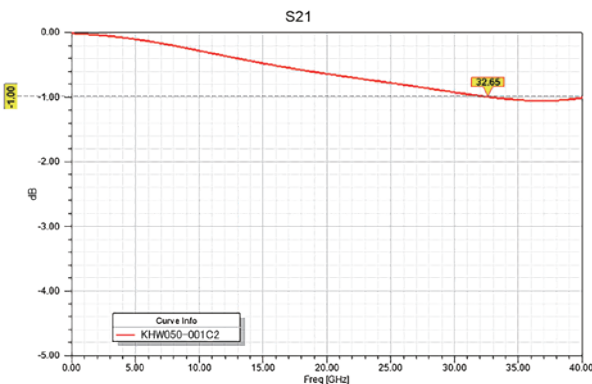
Material : Pd Alloy  
Plating : -

**KHW050-003C2**



Material : BeCu  
Plating : Au Alloy

**Insertion Loss Data**



**Life Test Data**

