

Pitch

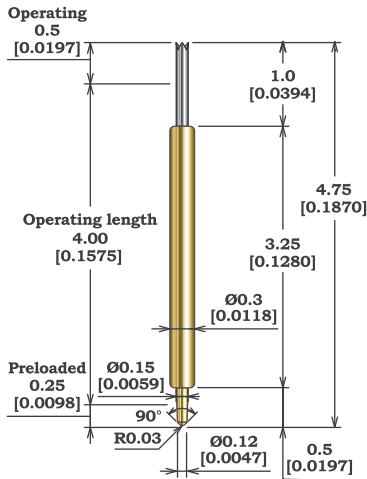
0.40mm

Length

4.75mm

Standard Pitch

Probe Outline Unit: mm [inch]



Specifications (Approximate Average Values)

Mechanical Specifications

Spring Force at Operating Travel	24gf (0.85oz.)
Operating Travel	0.75mm (0.0295inch)
Operating Temperature	-45 to 125°C
Life Span at Operating Travel	200K Cycles

Electrical Specifications

Current Rating (Continuous)	1.0A
Self Inductance	0.83nH
Bandwidth @ -1dB	18.3GHz
DC Resistance	$\leq 0.1\Omega$

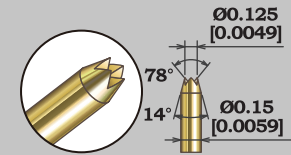
Material and Finishes

Bottom Plunger	BeCu / Au Plated
Barrel	Alloy / Au Plated
Spring	Music Wire / Au Plated

*Top Plunger : Please refer to the table on the right.

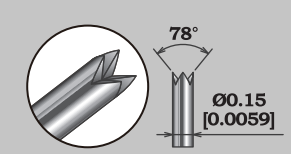
Top Plunger & Item Number

KHW040-003C2



Material : BeCu
 Plating : Au Alloy

KHW040-004CP

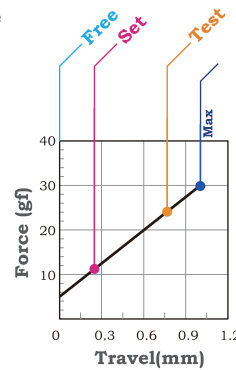
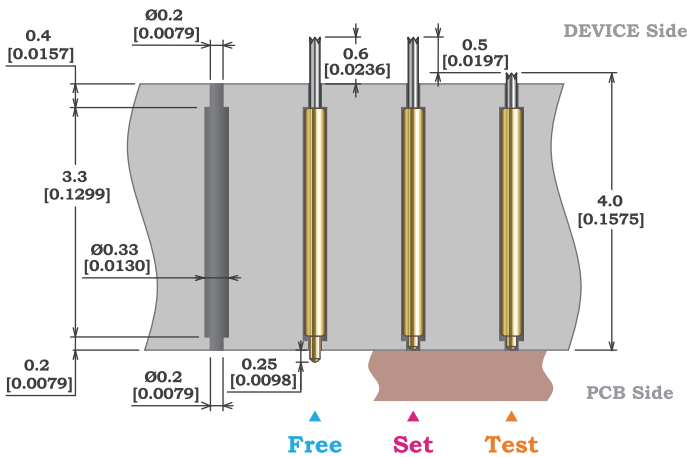


Material : Pd Alloy
 Plating : -

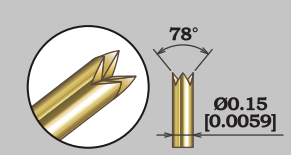
Socket Outline

Unit: mm [inch]

Force Chart

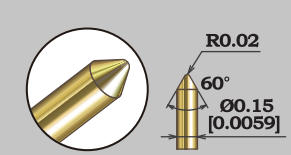


KHW040-004C2



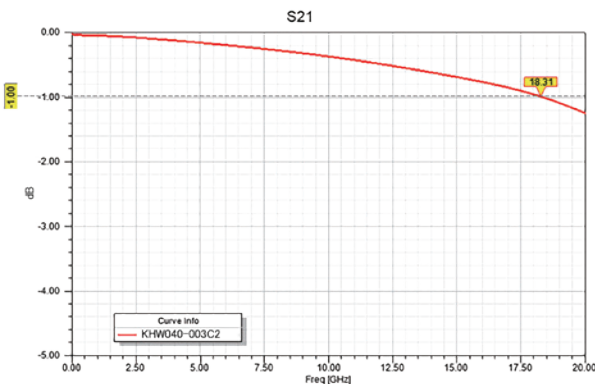
Material : BeCu
 Plating : Au Alloy

KHW040-005R2



Material : BeCu
 Plating : Au Alloy

Insertion Loss Data



Life Test Data

