

For BGA LGA SOP QFP QFN etc.

Pitch

0.50mm

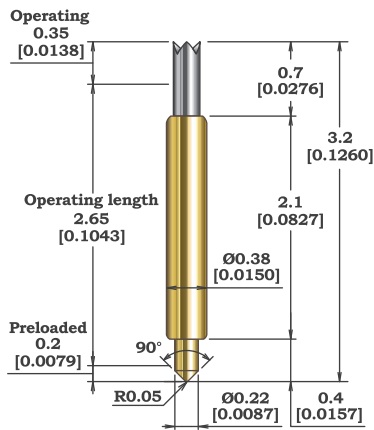
Length

3.2mm

Standard Pitch

Probe Outline

Unit: mm [inch]



Specifications

(Approximate Average Values)

Mechanical Specifications

Spring Force at Operating Travel	26gf (0.92oz.)
Operating Travel	0.55mm (0.0217inch)
Operating Temperature	-45 to 125°C
Life Span at Operating Travel	300K Cycles

Electrical Specifications

Current Rating (Continuous)	1.4A
Self Inductance	0.53nH
Bandwidth @ -1dB	29.3GHz
DC Resistance	≤0.05Ω

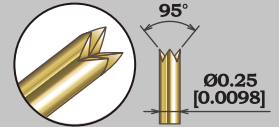
Material and Finishes

Bottom Plunger	BeCu / Au Plated
Barrel	Alloy / Au Plated
Spring	Music Wire / Au Plated

\*Top Plunger : Please refer to the table on the right.

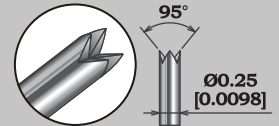
Top Plunger & Item Number

KMW050-001C2



Material : BeCu  
Plating : Au Alloy

KGW050-002CP

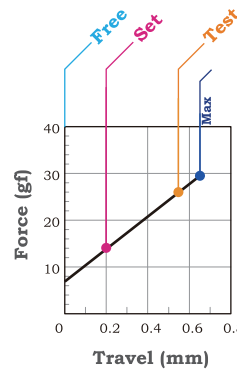
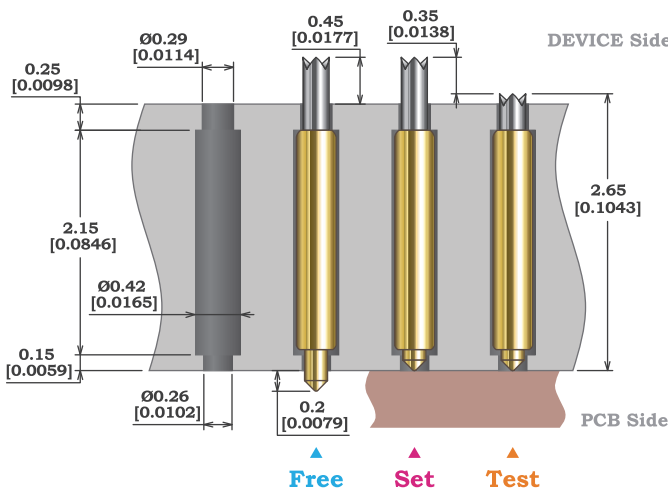


Material : Pd Alloy  
Plating : -

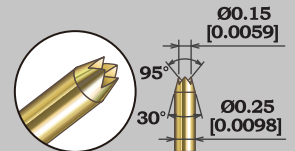
Socket Outline

Unit: mm [inch]

Force Chart

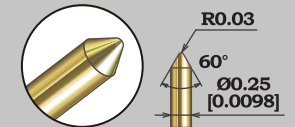


KHW050-104C2



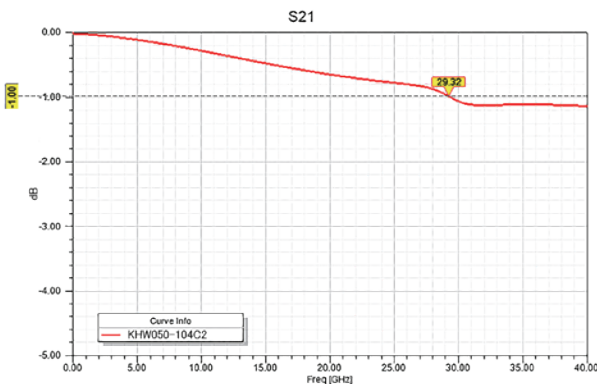
Material : BeCu  
Plating : Au Alloy

KHW050-105R2

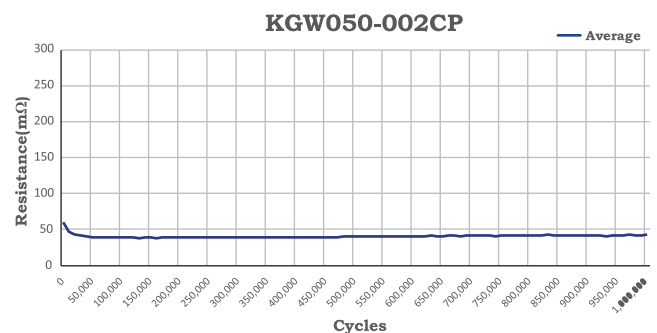


Material : BeCu  
Plating : Au Alloy

Insertion Loss Data



Life Test Data



\*All specifications are subject to change without notice.