

Pitch

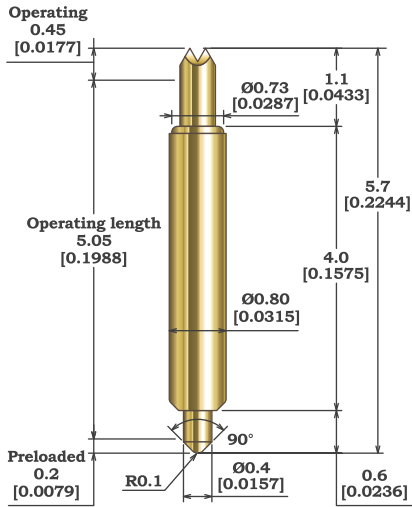
1.00mm

Length

5.7mm

Probe Outline

Unit: mm [inch]



Specifications

(Approximate Average Values)

Mechanical Specifications

Spring Force at Operating Travel	25gf (0.88oz.)
Operating Travel	0.65mm (0.0256inch)
Operating Temperature	-45 to 140°C
Life Span at Operating Travel	1000K Cycles

Electrical Specifications

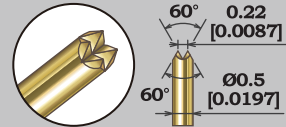
Current Rating (Continuous)	3.5A
Self Inductance	0.91nH
Bandwidth @ -1dB	7.1GHz
DC Resistance	≤0.05Ω

Material and Finishes

Bottom Plunger	BeCu / Au Plated
Barrel	Brass / Au Plated
Spring	Stainless Steel / Au Plated

Top Plunger & Item Number

KMW100-001C2



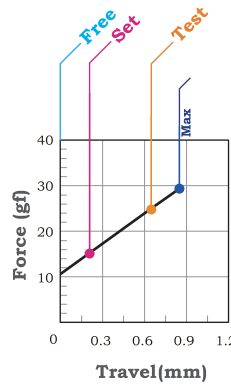
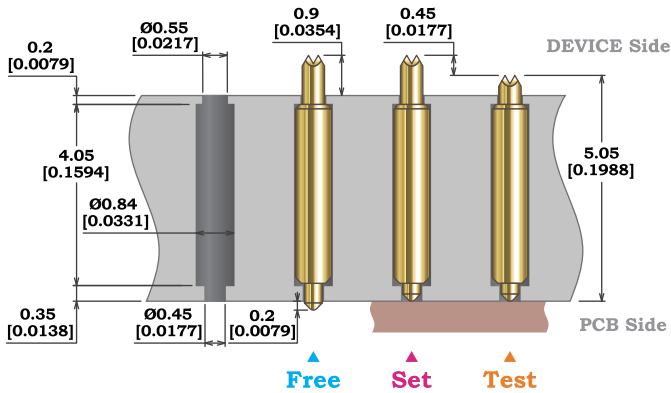
Material : BeCu
Plating : Au Alloy

*Top Plunger : Please refer to the table on the right.

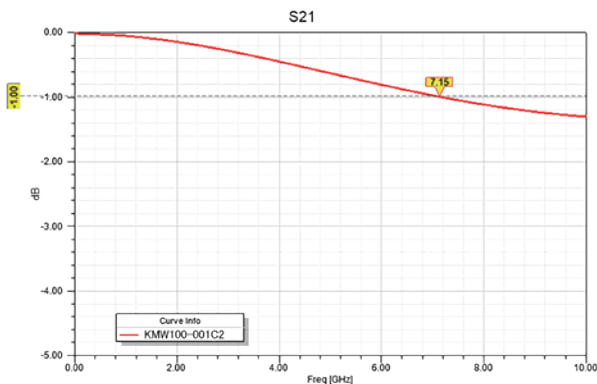
Socket Outline

Unit: mm [inch]

Force Chart



Insertion Loss Data



Life Test Data

